

### Plummer Block Assembly

In this project, you will create the components of the Plummer Block assembly, as shown in Figure 1 and then assemble them. The dimensions of the components are given in Figures 2 through 4.

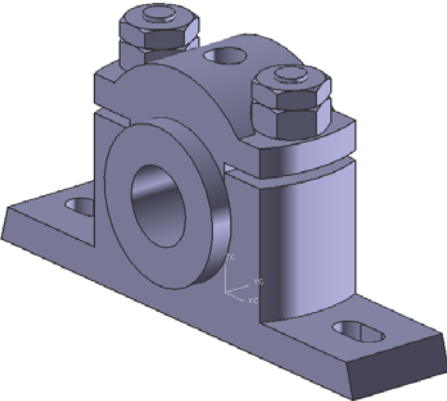


Figure 1 The Plummer Block assembly

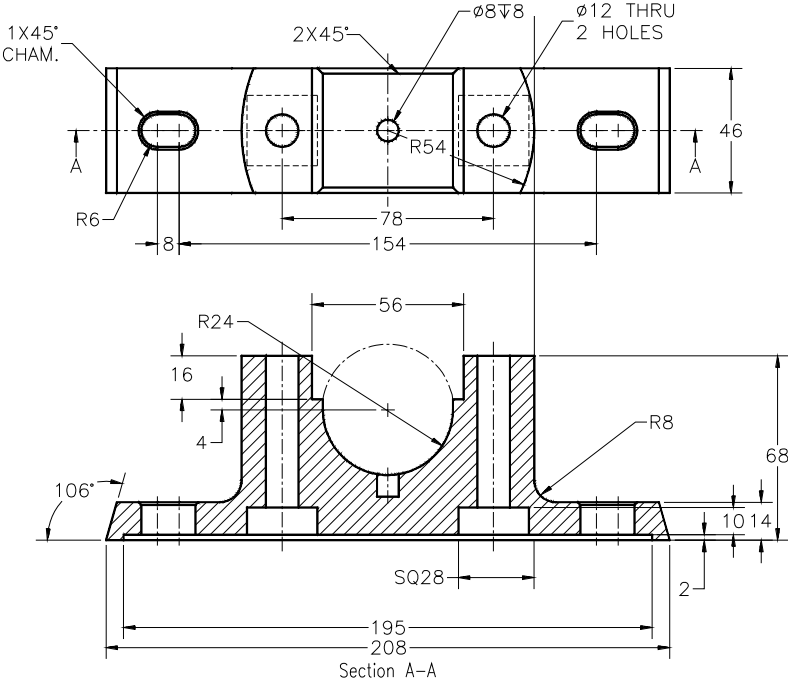
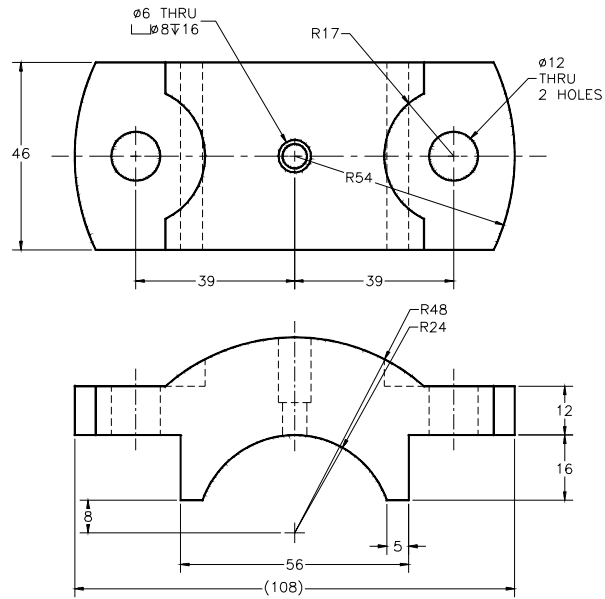
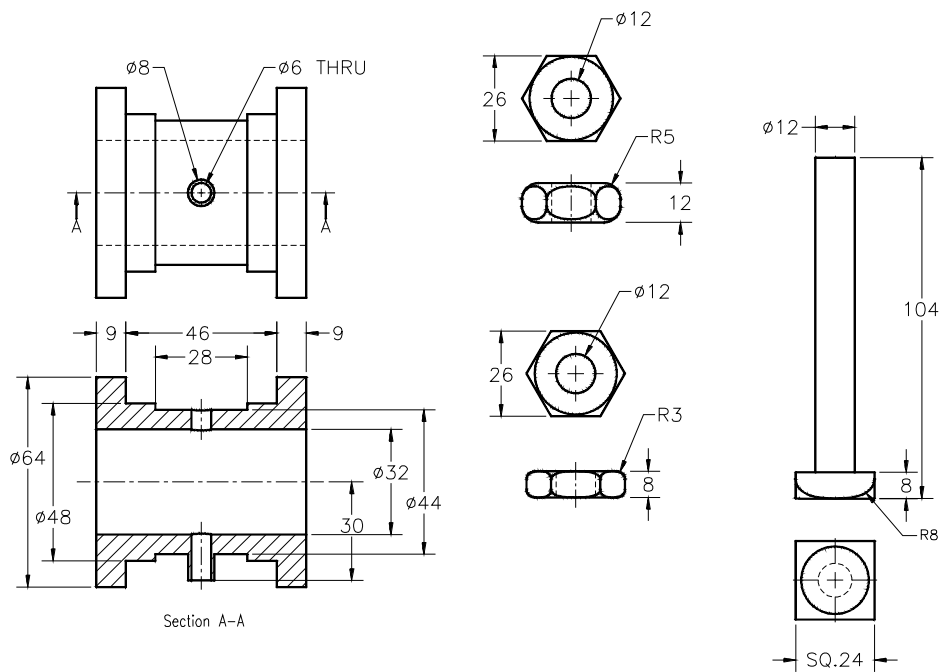


Figure 2 Views and dimensions of the Casting



**Figure 3** Views and dimensions of the Cap



**Figure 4** Views and dimensions of Brasses, Nut, Lock Nut, and Bolt